

Feature -

- small size
- bi-color LED illuminated available
- right angle and vertical PCB terminal
- SPDT, DPDT, lock / non-lock function

Application -

- consumer products
- computer products
- instrumentation
- communication equipments

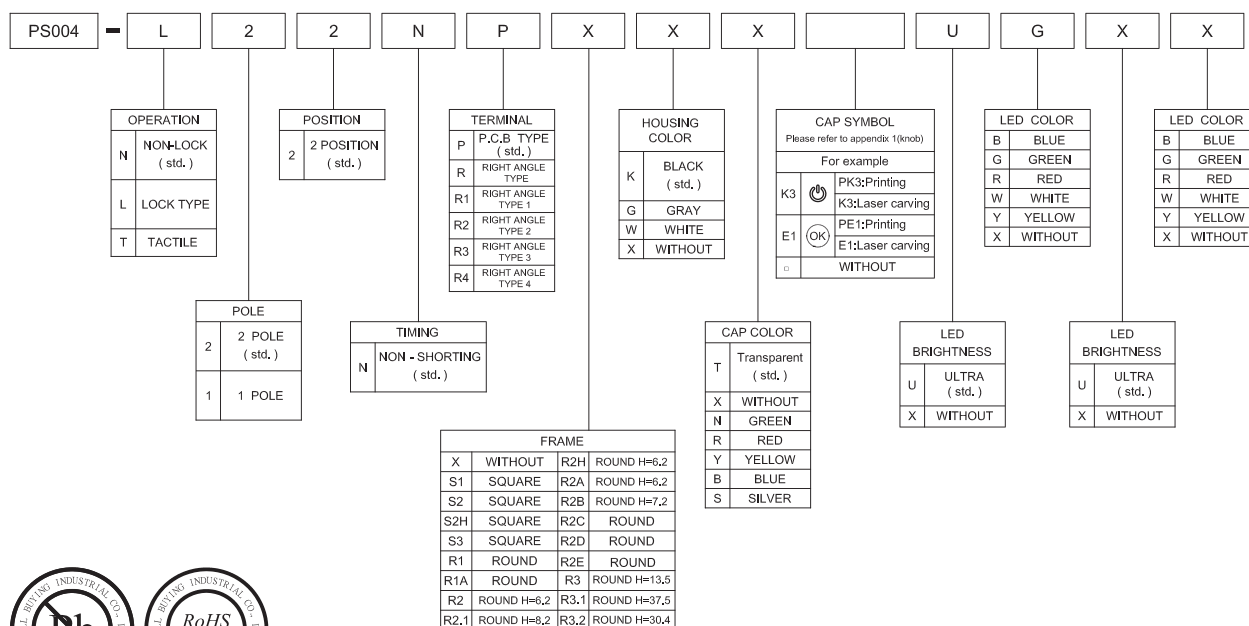
SPECIFICATIONS

SWITCH SPECIFICATIONS	
POLE - POSITION	1P2T , 2P2T LOCK / NON-LOCK Action with LED
CONTACT RATING	30 VDC , 0.1A / 5 VDC , 0.1mA
CONTACT RESISTANCE	50 mΩ MAX. 1.5 V DC ; 100 mA , by Method of Voltage DROP
INSULATION RESISTANCE	100 MΩ MIN. 500 V DC
DIELECTRIC STRENGTH	Breakdown is not Allowable ; 500 V AC for 1 Minute
OPERATING FORCE	250 ± 100 gf
OPERATING LIFE	50,000 cycles
OPERATING TEMPERATURE RANGE	-20°C ~ 70°C
TOTAL TRAVEL	TRAVEL - 0.7 ± 0.3 mm FULL TRAVEL - 1.5 ± 0.3 mm

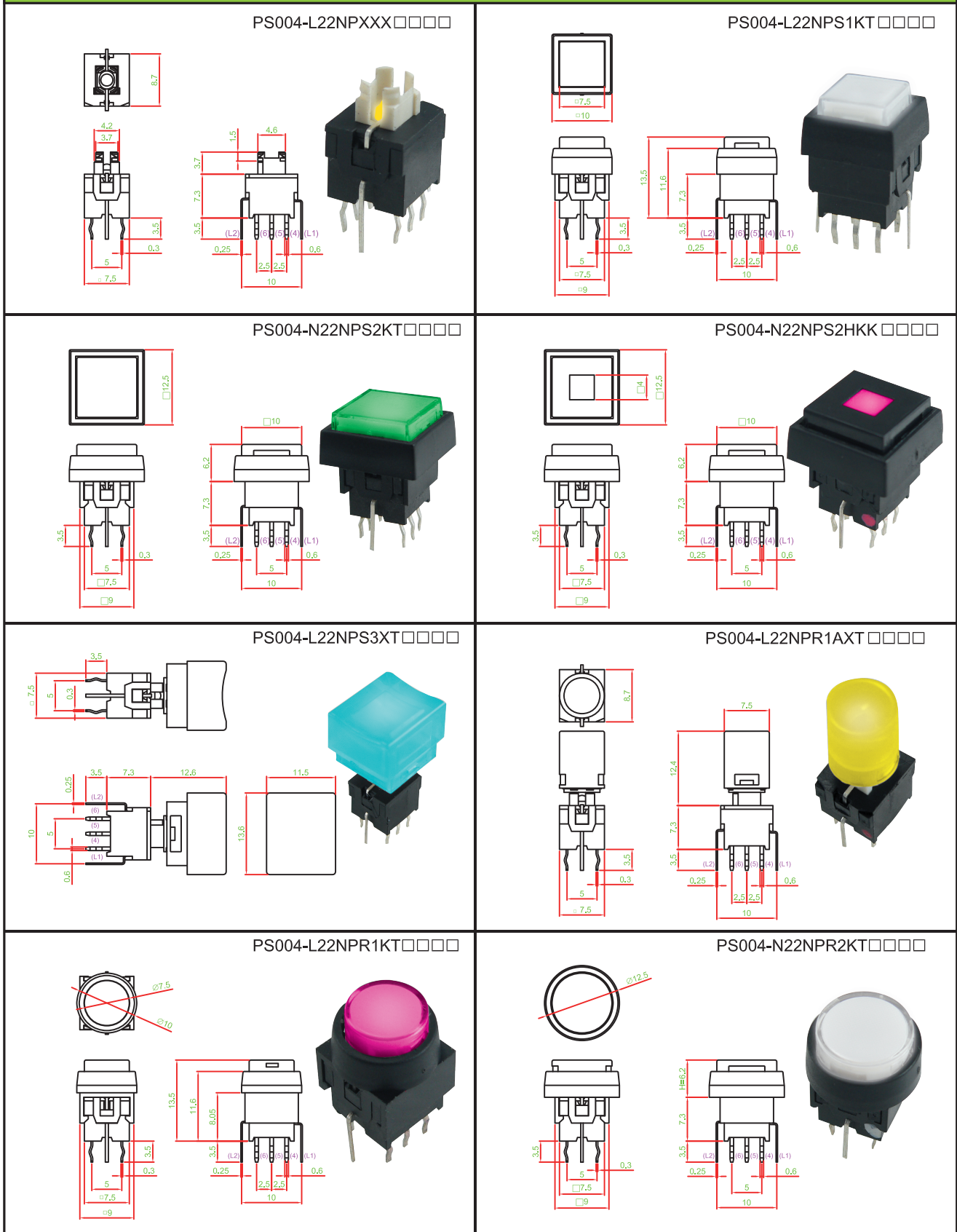
LED SPECIFICATIONS		Value / LED Color				
ATTENTION LEDs are Electrostatic Sensitive devices	Unit	Blue	Green	Red	White	Yellow
		FORWARD CURRENT If	mA	10	20	20
REVERSE VOLTAGE Vr	V	5.0	5.0	5.0	5.0	5.0
REVERSE CURRENT Ir	μA	10	10	10	10	10
FORWARD VOLTAGE Vf	V	@ 10mA 3.0-4.0	2.1-2.5	2.0-2.5	@ 2mA 2.8-4.0	2.0-2.5
LUMINOUS INTENSITY Iv	mcd	@ 10mA 200	800	1800	@ 2mA 12	1800

Physical and electrical information of LED will be provided upon customer's request on switches.

HOW TO ORDER

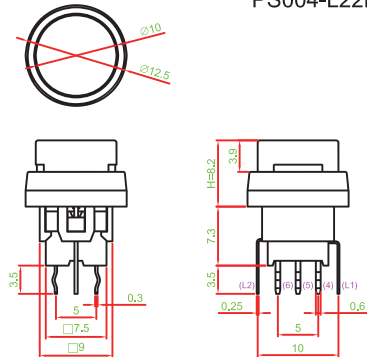


▶ DIMENSION

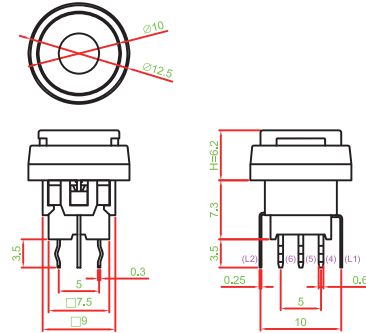


DIMENSION

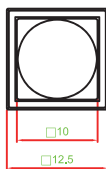
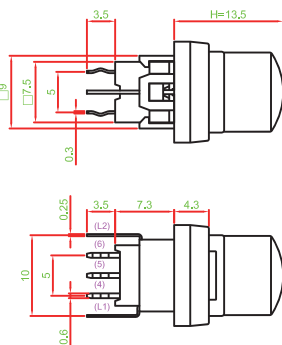
PS004-L22NPR2.1KT □□□□



PS004-N22NPR2HKK □□□□

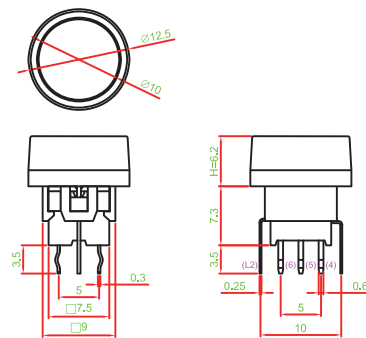


PS004-N22NPR3KT □□□□

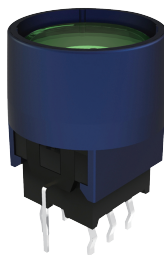
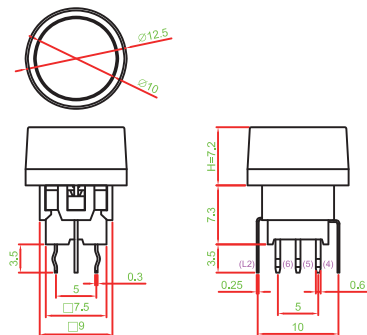


FRAME	DIMENSION
R3	H=13.5 mm
R3.1	H=37.5 mm
R3.2	H=30.4 mm

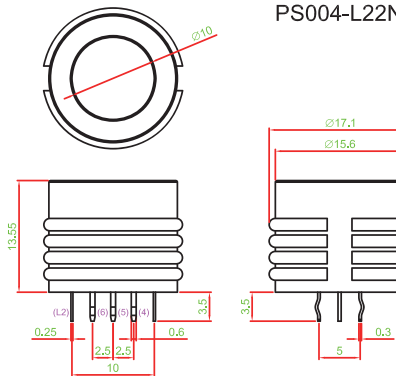
PS004-L22NPR2ABT □□□□



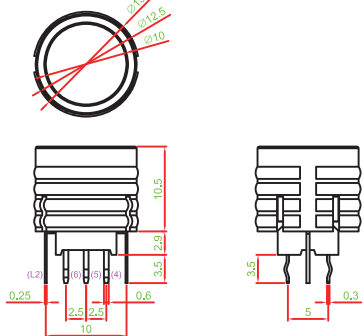
PS004-L22NPR2BBT □□□□



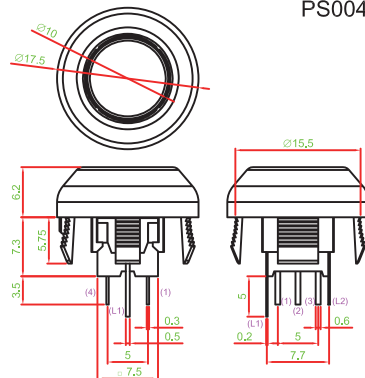
PS004-L22NPR2CBT □□□□



PS004-L22NPR2DBT □□□□



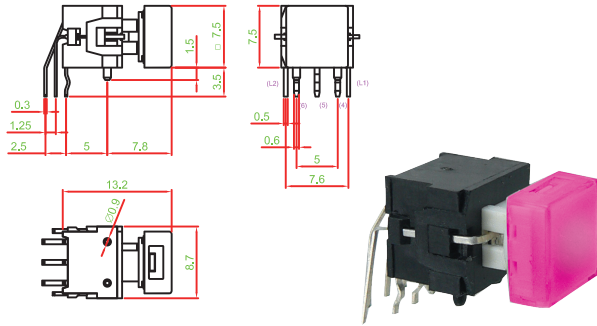
PS004-L22NPR2EBT □□□□



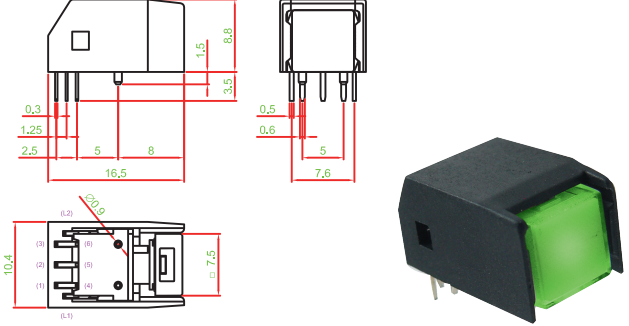
PANEL CUT OUT	
Z	D
0 ~ 0.5	15.6 ~ 15.7
0.5 ~ 2.0	15.7 ~ 15.8
2.0 ~ 2.5	15.8 ~ 15.9
2.5 ~ 3.0	15.9 ~ 16.0
3.0 ~ 3.5	16.0 ~ 16.1

▶ DIMENSION

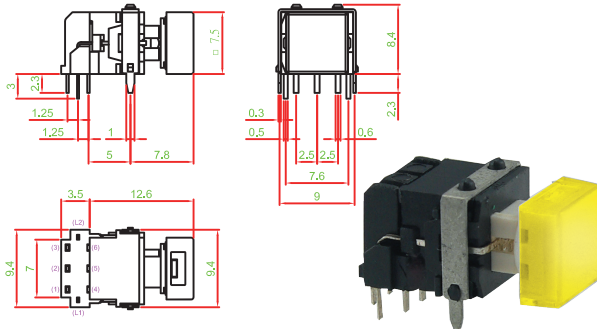
PS004-N22NRS1XT□□□□



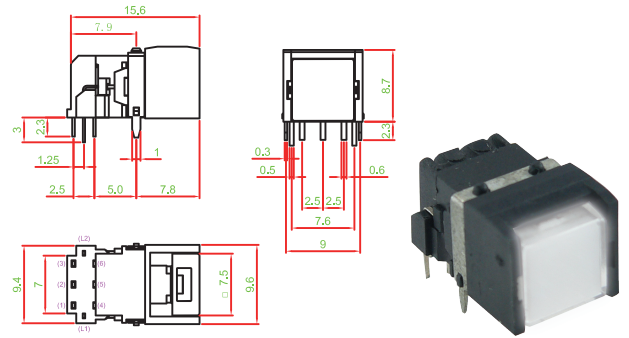
PS004-N22NRS1KT□□□□



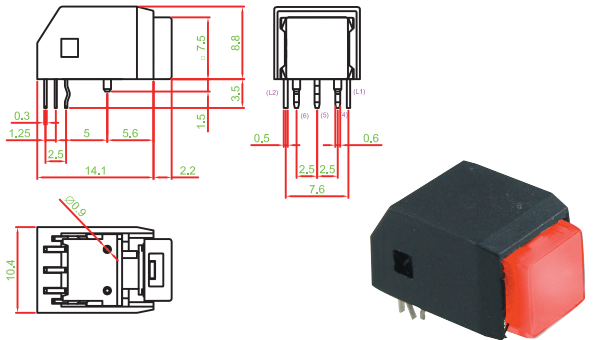
PS004-N22NR1S1XT□□□□



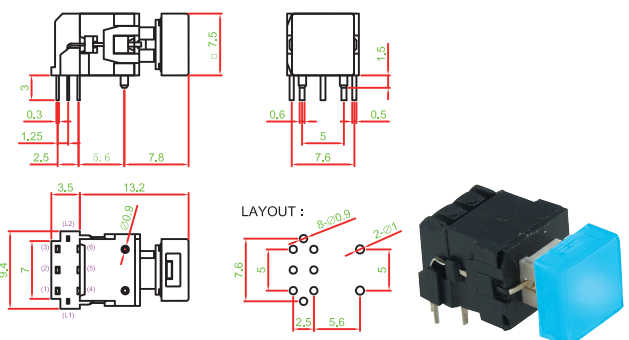
PS004-N22NR2S1KT□□□□



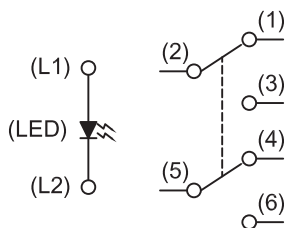
PS004-N22NR3S1KT□□□□



PS004-N22NR4S1XT□□□□



▶ CIRCUIT

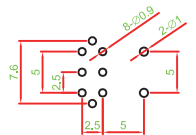


▶ P.C.B. LAYOUT

STANDARD TYPE



RIGHT ANGLE TYPE



▶ MATERIAL

- FRAME : PA + GF
- ACTUATOR : PA + GF
- BASE : PA + GF
- TERMINAL : BRASS ; SILVER PLATING
- SPRING : STAINLESS STEEL

	0	1	2	3	4	5	6	7	8	9	10	11	12	13	14	15	16	17	18	19		
A	0	1	2	3	4	5	6	7	8	9	10	11	12	13	14	15	16	17	18	19		
B	A	B	C	D	E	F	G	H	I	J	CH5	CH6	DSK	PIP	C-KEY	CUT	TAKE	REC	ENG	PROD		
C	K	L	M	N	O	P	Q	R	S	T	REPLAY	RET1	RET2	KEY ON	AUTO TAKE							
D	U	V	W	X	Y	Z	POWER	ON OFF	ON	OFF		USER A	USER B	USER C	USER D	USER E	USER F	USER G	USER H	USER I		
E	OK		Auto	Enter	Start	STOP	OPEN	CLOSE	Exit	Move	USER J									M-1		
F	SET	Reset	Light	Alarm	Menu	Next	Back	Delete	Motor	Save												
G	Up	Down	Right	Left	Test	End	Insert	Lock	Print	+/-							IN PORT	SOS		TC		
H	ESC	BC.	HOME	Health	D-LED 2	OC GENE	VIDEO INPUT	clr CMOS	Green Power	Save OK	P1	P2	P3	P4	P5	DC	AC			TURBO		
I				F1	F2	F3	F4	F5	F6	F7	SEEK	TRACK	RNA	AS/RPT	Select		SET	ON	OFF	UP		
J	F8	F9	F10	F11	F12	F13	F14	IN 1	IN 2	IN 3						ON AIR		D.	M.			
K	IN 4	IN 5	IN 6														HDMI	VGA				
L	+	-	x										MON	ITEM	C/S	GAS	PUMP ON/OFF	PURGE	R/HR	PARL	IOD	
M													FILL	LO RANGE	MID RANGE	MID	HI RANGE	GPD	EFF LEVEL			
N																						
O																						
P							Config.	TIME LINE	ME1	ME2												
Q	ME3	ME4	BOND 3D DVE1	BOND 3D DVE2	BUS COLOR	ME BUTTON LINK	*	INSERT	WIPE													
R		ALL		VP		COPY		RECORD MODE														
S			MUTE																			
T		hold	group	m1	m2	m3	m4	m5	t1	t2												
U	s1	s2	chair	undo	redo	touch	store	recall	e1	e2												
V	e3	e4	OC			CLEAR	CROSS WIND	AMMO TEMP	BARO PERSS	AIR TEMP												
W	BORE-SIGHT	CANT	LEAD	RANGE	MRS	ZERO	TEST	UD	LR													
X	ID	Disp	M/F	CALL	.	BAND	SETUP	MODE	LINK	FUNC.												
Y	SHIFT					DEL																
Z			T	RUN	2D	3D	CH1	CH2	CH3	CH4												